

# EVS-2540 COLOR VIEWING STATION

**The EVS-2540 boasts D5000 accuracy and consistency. Combined with sleek styling, it provides a viewing area of 25x40"/64x102cm and is perfect for a conference room, lobby, executive office or pressroom.**



*EVS-2540 desktop model*

## Versatile Work Station

This unit is perfect for the professional involved in inspecting transparencies, color prints and proofs, or for small press applications. It is the ideal solution for critical color evaluation and complies with industry D50 standard lighting and viewing conditions, ISO 3664:2009.

## Lamp Monitoring System



LiteGuard II® is a critical quality control monitor, a backlit liquid crystal display of lamp hours used and lamp hours remaining on the daylight source. Lite Guard II also indicates warm-up time and the hours remaining until recommended relamping.

## Characteristics

- Elegant design
- Compliance with industry D50 standard lighting and viewing conditions, ISO 3664:2009
- Uniform illumination
- Graphiclite® 100 color viewing lamps
- Munsell N8/ grey surround
- High-efficiency reflectors
- Neutral diffusers that will not yellow
- Shipped disassembled to reduce costs
- Print bar allows positioning of an image vertically on the back wall for direct comparison to the press sheet on the horizontal viewing area
- LiteGuard II to monitor lamp life

## Graphiclite 100 Lamps



Every GTI® color viewing system features Graphiclite 100 color viewing lamps. To ensure optimum viewing conditions, these lamps are manufactured with a unique blend of fluorescent phosphors. Unequaled by any other 5000 Kelvin lamp in the industry, the Graphiclite 100 lamps produce a true full-spectrum white light which renders colors with the highest degree of accuracy and efficiency. In GTI viewers, the Graphiclite 100 color viewing lamp produces an actual system CRI approaching 95.

## ISO 3664:2009

This highly technical set of specifications enables lighting manufacturers to design, test and certify color viewing systems. The standard specifies a set of five conditions which must all be present in order to assure the benefits of the standard for the graphics and photographic industries. The EVS-2540 meets these five conditions:

- Color quality
- Light intensity
- Evenness
- Surround
- Geometry

## Accessories









The EVS-2540 units are available with a variety of optional accessories: sidewalls that provide extra critical viewing conditions; flat drawers for the storage of artwork, press sheets and color proofs; storage cabinet; table risers and adjustable floorstand which is shipped disassembled to reduce freight costs.

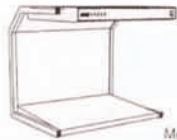


*EVS-2540 with adjustable floorstand and file drawers*

# EVS-2540 Ordering Guide

Choose one of the package options shown, or...create your own!

System Components	Table Risers	Floor Stands & Storage
Height x width x depth 104x107x67cm/41x42x26.5"  Model EVS-2540	Height x width x depth 20x107x67cm/8x42x26.5"  Model TS-2540  Model 1F-2540  Model 2F-2540	Height x width x depth 81x107x67cm/32x42x26.5"  Model FS-2540 <i>Table riser optional Height is adjustable 32" - 48"</i>  Model FD-2540 <i>Requires table riser option</i>  Model SC-2540 <i>Requires table riser option</i>
 Side Walls Model SW-2540		



**40-A**

Model: EVS-2540



**40-B**

Models: EVS-2540  
SW-2540



**40-C**

Models: EVS-2540  
TS-2540



**40-D**

Models: EVS-2540  
1F-2540



**40-E**

Models: EVS-2540  
2F-2540



**40-F**

Models: EVS-2540  
2F-2540  
SW-2540



**40-G**

Model: EVS-2540/FS



**40-H**

Models: EVS-2540/FS  
SW-2540



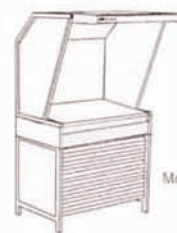
**40-I**

Models: EVS-2540/FS  
2F-2540



**40-J**

Models: EVS-2540  
TS-2540  
FD-2540



**40-K**

Models: EVS-2540  
1F-2540  
FD-2540  
SW-2540



**40-L**

Models: EVS-2540  
TS-2540  
SC-2540



**40-M**

Models: EVS-2540  
2F-2540  
SC-2540  
SW-2540