

EVS EXECUTIVE COLOR VIEWING STATIONS

Controlled environment for color evaluation

EVS color viewing systems comply with the ISO 3664:2009 industry standard for inspecting and evaluating printed samples, their elegant design making them ideal for use in conference rooms, studios and office environments.



EVS-3052 with optional sidewalls

Models EVS-3052/FS and EVS-30106/FS include a floorstand (with two storage shelves) which allows the height to be adjusted to the viewing environment at set up. Its casters provide for easy movement of the viewing station.

Munsell N8/ Gray Surround

These EVS units are supplied with standard Munsell N8/ gray interior and sidewalls to help create a better viewing environment.

ISO 3664:2009

This highly technical set of specifications enables lighting manufacturers to design, test and certify color viewing systems. The standard specifies a set of five conditions which must all be present in order to assure the benefits of the standard for the graphics and photographic industries. These units meet those five conditions: color quality, light intensity, evenness, surround and geometry.



Lamp Monitoring System

LiteGuard® II is a critical quality control monitor, a backlit liquid crystal display of lamp hours used and lamp hours remaining on the daylight source. The LiteGuard II also indicates warm-up time and the hours remaining until recommended relamping.

Asymmetrical Luminaire

EVS luminaires are positioned parallel to the floor and utilize an asymmetrical lens design, directing light at an angle to ensure consistent illumination on the work surface and rear wall. Asymmetrical luminaires are ideal for applications where a monitor is mounted inside the viewing station as it reduces the amount of reflectance on the monitor.

Additional Features

- Even illumination
- Glare reduction
- High-efficiency reflectors
- Print bar for the positioning of an image vertically on the back wall for direct comparison to the press sheet on the horizontal viewing area
- Metal tabletop allows artwork to be held with magnets
- Shipped disassembled to reduce costs

Graphiclite 100 Lamps

Our lamps are manufactured with a unique blend of fluorescent phosphors. They are unequalled by any other 5000K lamp in the industry and produce a true full-spectrum white light that renders colors with the highest degree of accuracy and efficiency. The Graphiclite® 100 lamp produces an actual system CRI approaching 95.

Optional Accessories

See the **Ordering Guide** that follows to choose from a variety of optional accessories: flat drawers for storage of artwork, press sheets and color proofs; table risers; a storage cabinet with or without drawers.

Soft Proofing Options

Soft proofing provides an opportunity to shorten the production cycle, while improving communications between color image service providers and their clients.

Manual Model

A manually operated digital dimming model is offered.

Automated Model

The EVS/iQ provides the features required for accurate soft proofing, including automatic matching of illumination in the viewing booth to the monitor. These models also include digital dimming, a floorstand with casters, sidewalls, single or dual LCD monitor mounting, keyboard drawer and D50 lamps.




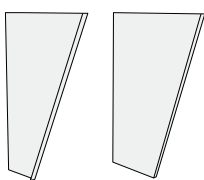
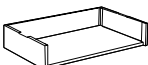

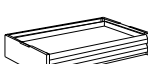

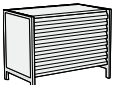
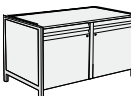
The iQ-enabled viewers remove the manual process and guesswork from viewer to monitor luminance matching, replacing it with an automated and streamlined process that provides repeatable accuracy and superior quality.

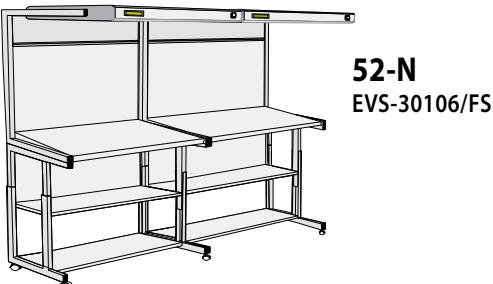
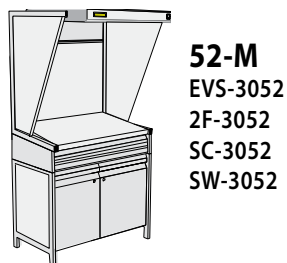
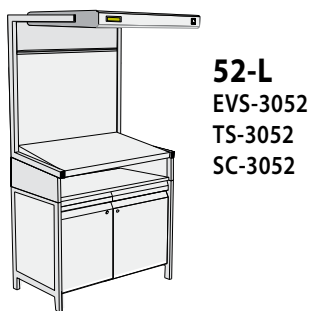
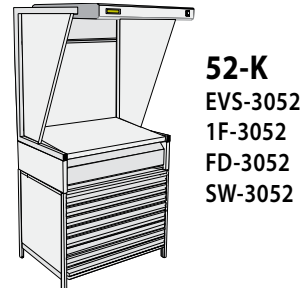
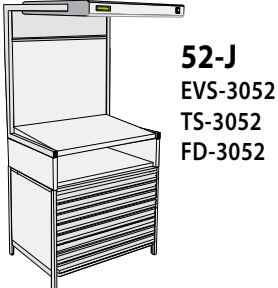
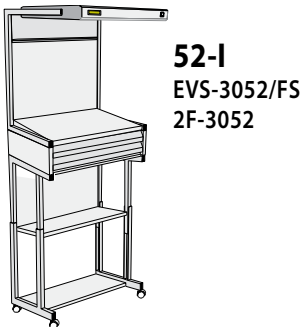
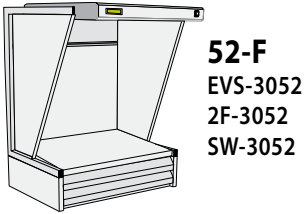
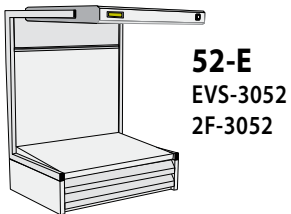
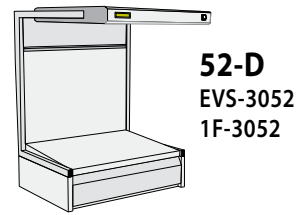
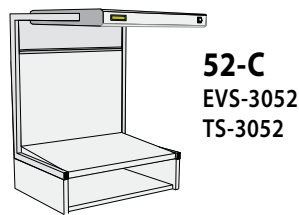
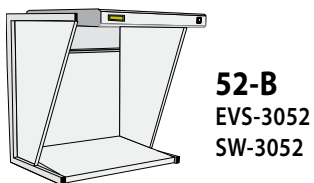
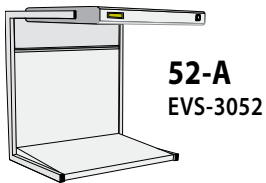


iQ control module and iQ sensor

Ordering Guide

Choose one of the packages shown below or create your own

<p>Basic Unit Height x width x depth 45.5 x 54 x 31"/116 x 137 x 79cm Depth with luminaire: 42"/107cm</p>  <p>EVS-3052</p>	 <p>Sidewalls SW-3052</p>	<p>Table Riser and File Drawers Height: 8"/20cm</p>  <p>TS-3052</p>  <p>1F-3052</p>  <p>2F-3052</p>	<p>Floor Stand and Storage Height: 32"/81cm</p>  <p>Model FS-3052 Adjustable up to 32"/81cm Table riser is optional</p>  <p>Model FD-3052 Requires TS-3052, 1F-3052 or 2F-3052</p>  <p>Model SC-3052 Requires TS-3052, 1F-3052 or 2F-3052</p>
--	---	--	--



Brand and product names are trademarks of their respective holders. All trademarks may be registered in the U.S.A. and/or other countries. Product design and specifications subject to change without prior notice.

Los productos están protegidos por patentes y patentes pendientes en los EE.UU. y el extranjero, y son marcas registradas y propiedad de sus fabricantes. Las especificaciones y el diseño están sujetos a cambio sin previo aviso.



Grafitec International Inc.

Tel: 305/718-9941 • Fax: 305/718-9362 • E-mail: grafitec@grafitec.com

www.grafitec.com